

Installation TopFix / RecessFix [R1]



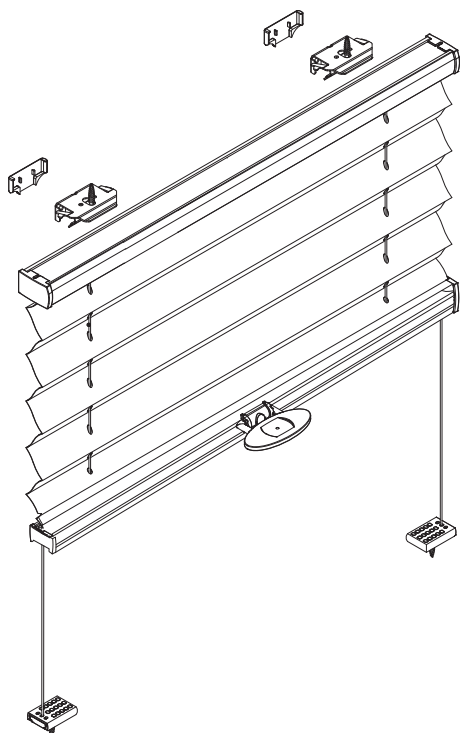
Model

**3102
3152**

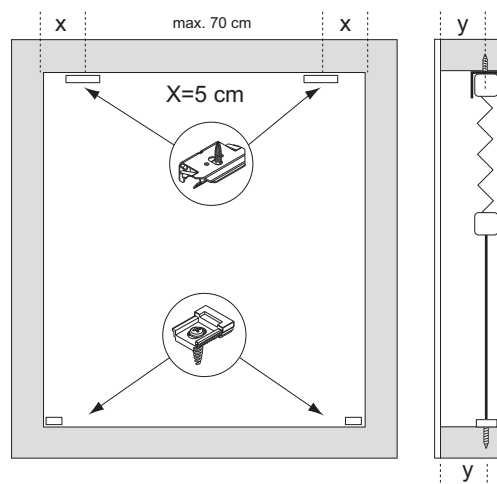
! Do not damage the product when using a sharp knife to open the packaging! Fitting screws: Use a size-2 screwdriver (PO-ZIDRIVE) or use an electric screwdriver at it's lowest torque.
● Rail removal: Use a flat screwdriver of max. 6 mm wide. Only

use the original screws enclosed, to prevent malfunctioning from using too thick screw heads!

Installation and User's manual PB - GB

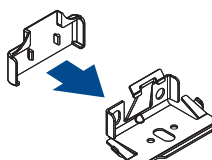


Product width	Number of parts			
0 - 80 cm	2	2	2	4
81 - 150 cm	3	3	2	5



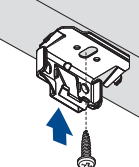
Cover installation

1



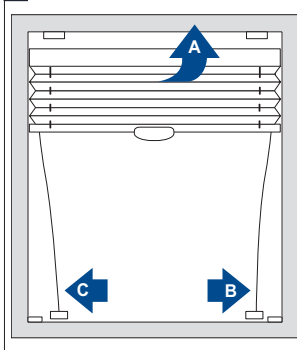
Clip installation

2



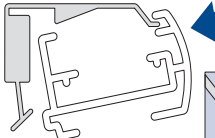
Installation sequence

4

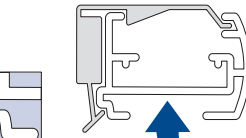


Rail installation sequence on Clips

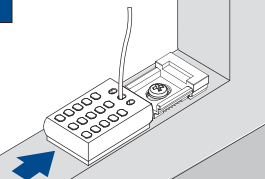
4-A1



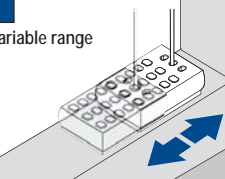
4-A2



4-B/C 1

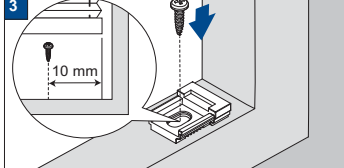


4-B/C 2



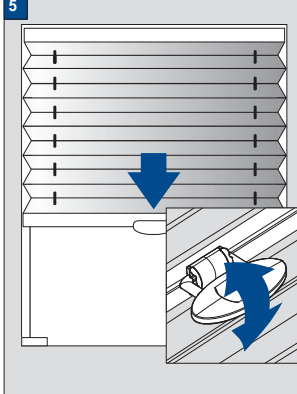
Footplate installation

3

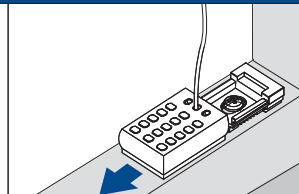
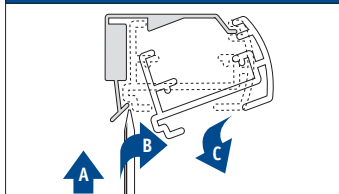


Operation

5



Removal



21-03-2014

FaceFix installation to a window frame / wall [F1]

Luxaflex

Model

3102

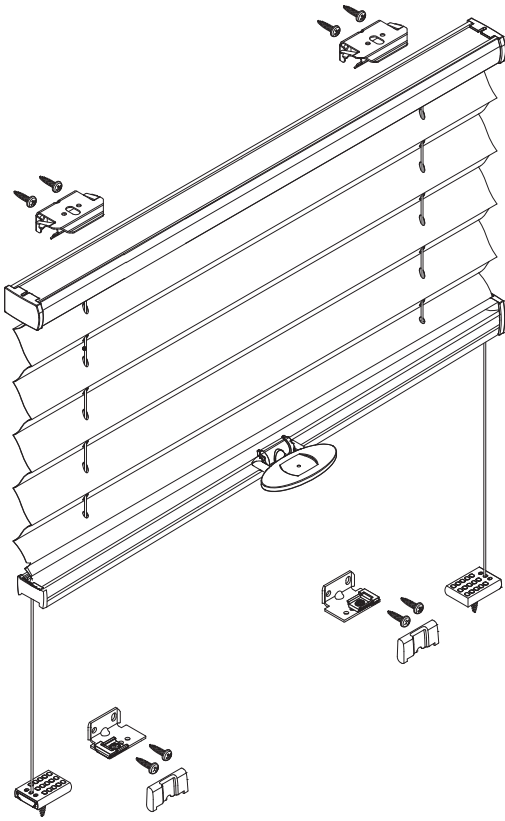
3152

Do not damage the product when using a sharp knife to open the packaging! Fitting screws: Use a size-2 screwdriver (PO-ZIDRIVE) or use an electric screwdriver at it's lowest torque.

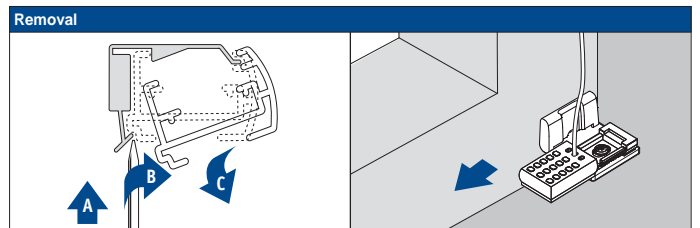
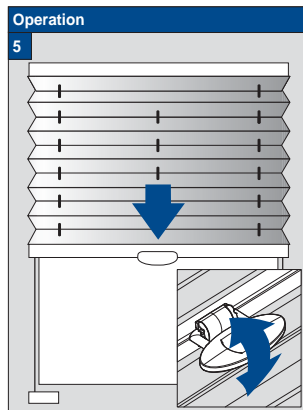
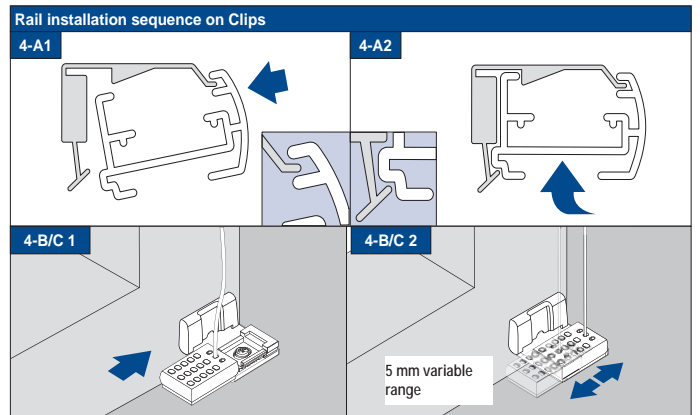
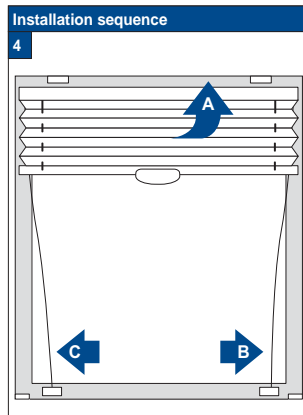
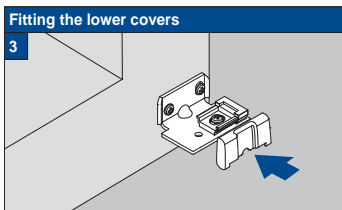
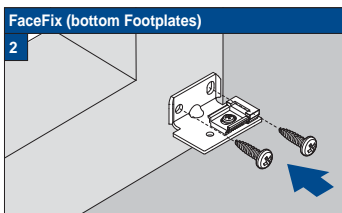
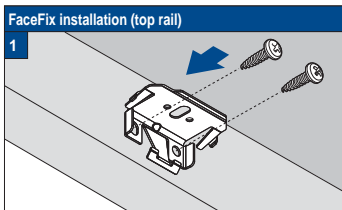
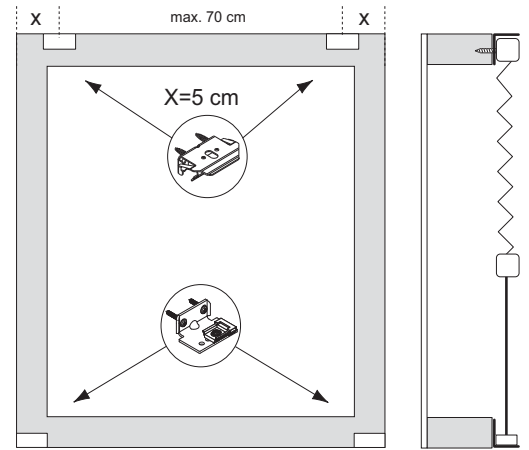
use the original screws enclosed, to prevent malfunctioning from using too thick screw heads!

● Rail removal: Use a flat screwdriver of max. 6 mm wide. Only

Installation and User's manual PB - GB



Product width	Number of parts					
0 - 80 cm	2	2	2	2	8	2
81 - 150 cm	3	2	2	2	10	2



21-03-2014