

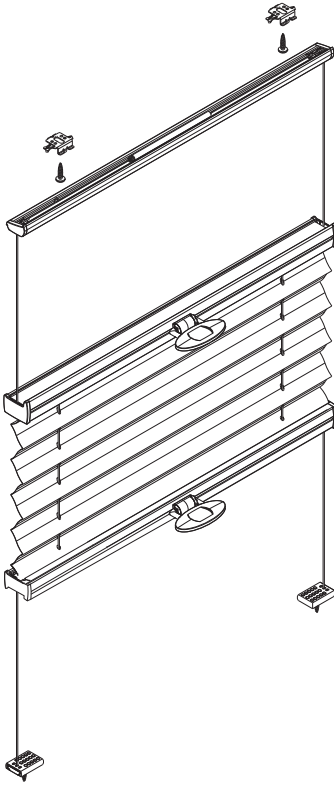
Installation TopFix / RecessFix [R1]



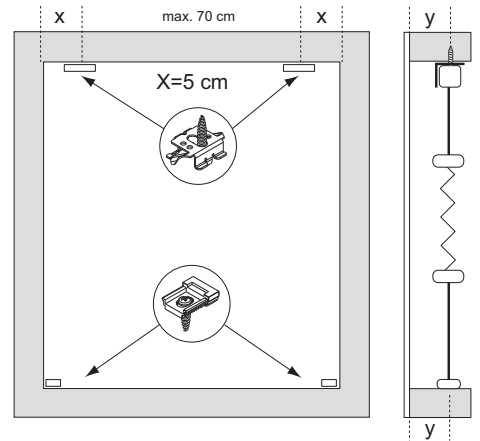
Model
3202

! Do not damage the product when using a sharp knife to open the packaging! Fitting screws: Use a size-2 screwdriver (PO-ZIDRIVE) or use an electric screwdriver at it's lowest torque. **•** Rail removal: Use a flat screwdriver of max. 6 mm wide. Only use the original screws enclosed, to prevent malfunctioning from using too thick screw heads!

Installation and User's manual PB - GB



| Product width | Number of parts | | | |
|---------------|-----------------|---|---|---|
| | | | | |
| 0 - 80 cm | 2 | 2 | 2 | 4 |
| 81 - 150 cm | 3 | 3 | 2 | 5 |



Clip installation

1

Footplate installation

2

Installation sequence

3

Rail installation sequence on Clips

3-A1

3-A2

3-B/C 1

3-B/C 2

Operation

4

Removal

21-03-2014

FaceFix installation to a window frame / wall [F1]

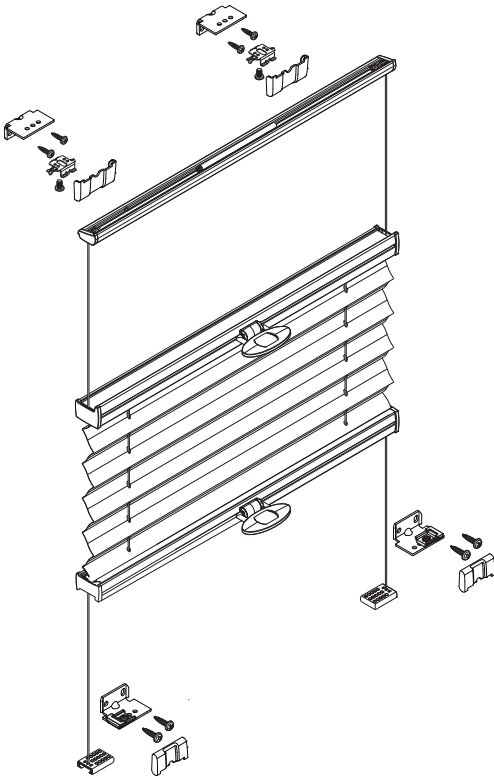


Model
3202

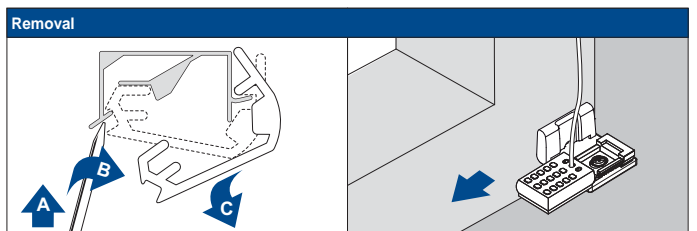
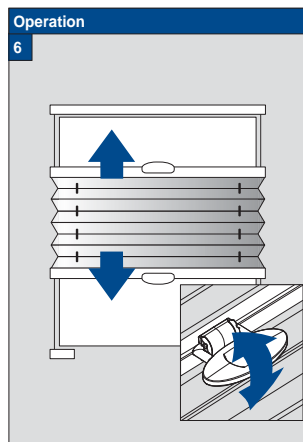
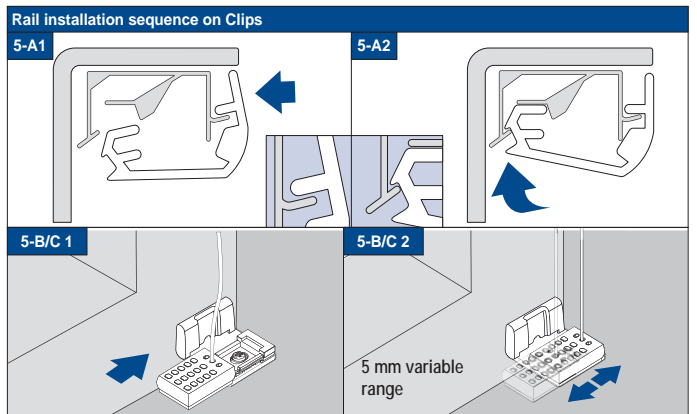
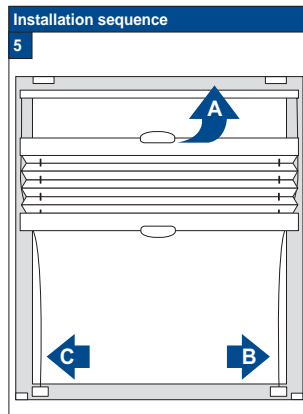
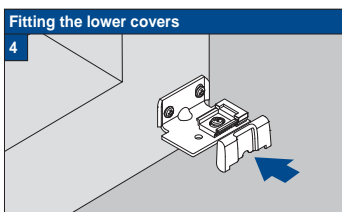
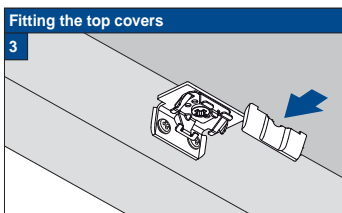
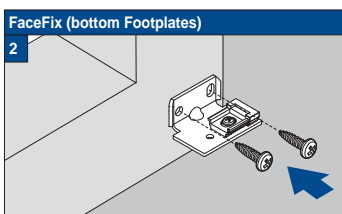
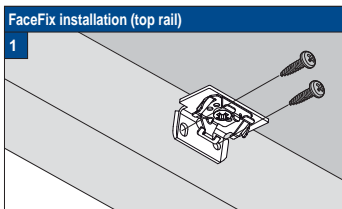
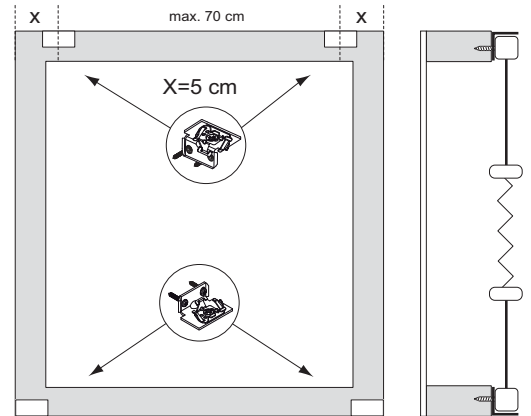
- ! Do not damage the product when using a sharp knife to open the packaging! Fitting screws: Use a size-2 screwdriver (PO-ZIDRIVE) or use an electric screwdriver at it's lowest torque.
- Rail removal: Use a flat screwdriver of max. 6 mm wide. Only

use the original screws enclosed, to prevent malfunctioning from using too thick screw heads!

Installation and User's manual PB - GB



| Product width | Number of parts | | | | | | |
|---------------|-----------------|------------------|-------|---------|-------|--------|---------|
| | Top rail | Bottom footplate | Clips | FaceFix | Clips | Screws | Washers |
| 0 - 80 cm | 2 | 2 | 4 | 4 | 2 | 8 | 4 |
| 81 - 150 cm | 3 | 3 | 5 | 5 | 2 | 10 | 5 |



21-03-2014